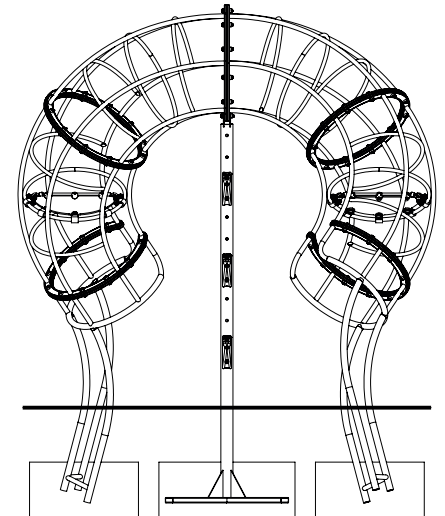
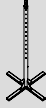
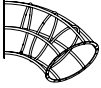











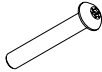
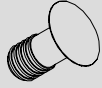


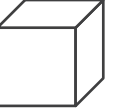




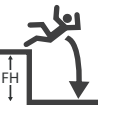

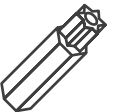


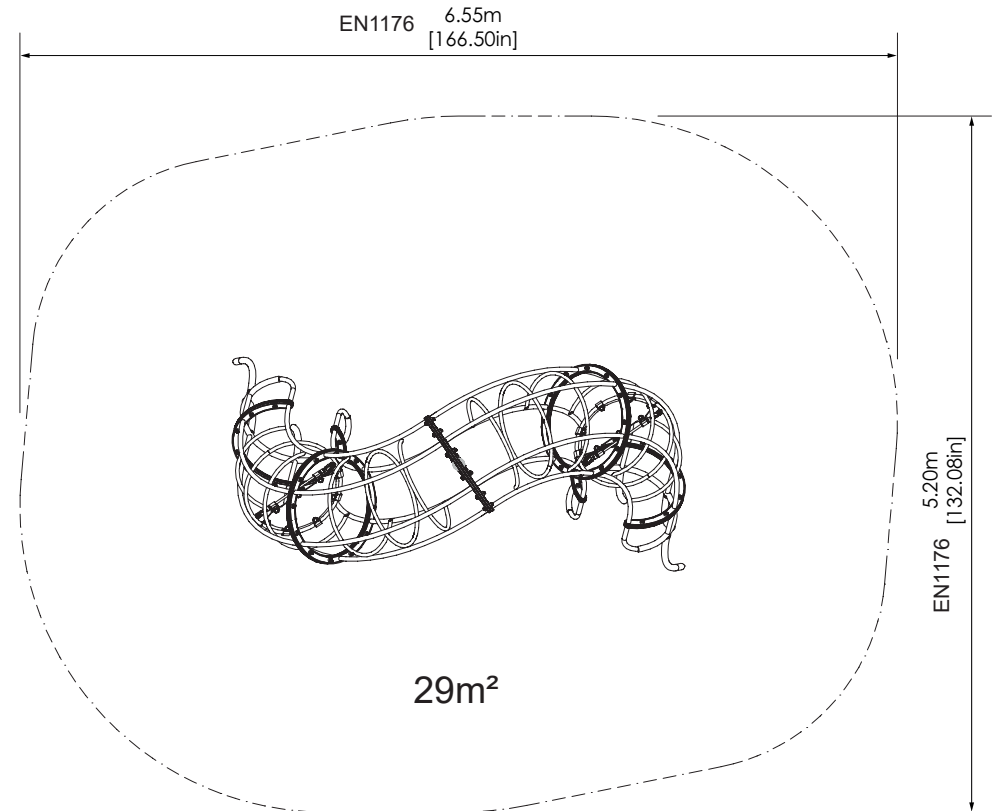
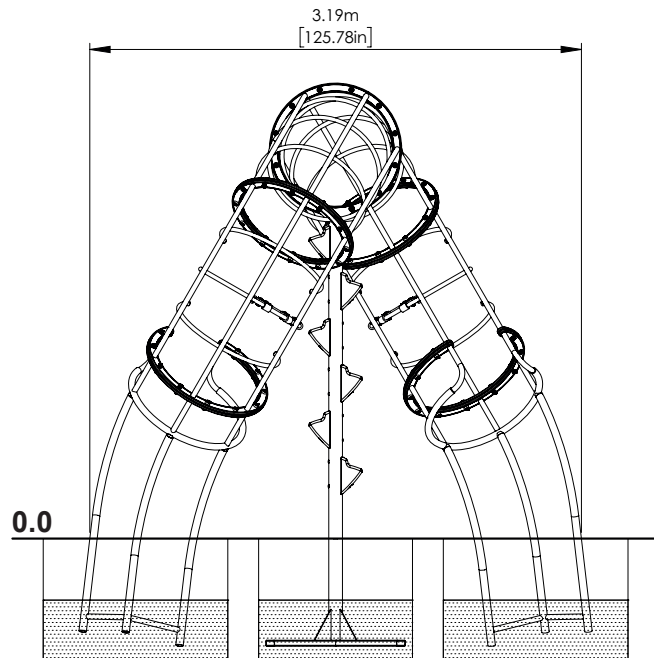
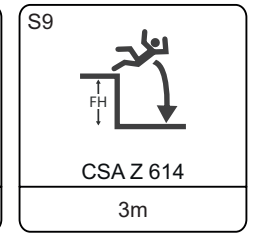
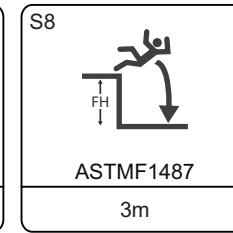
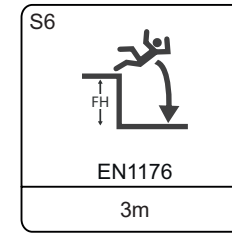
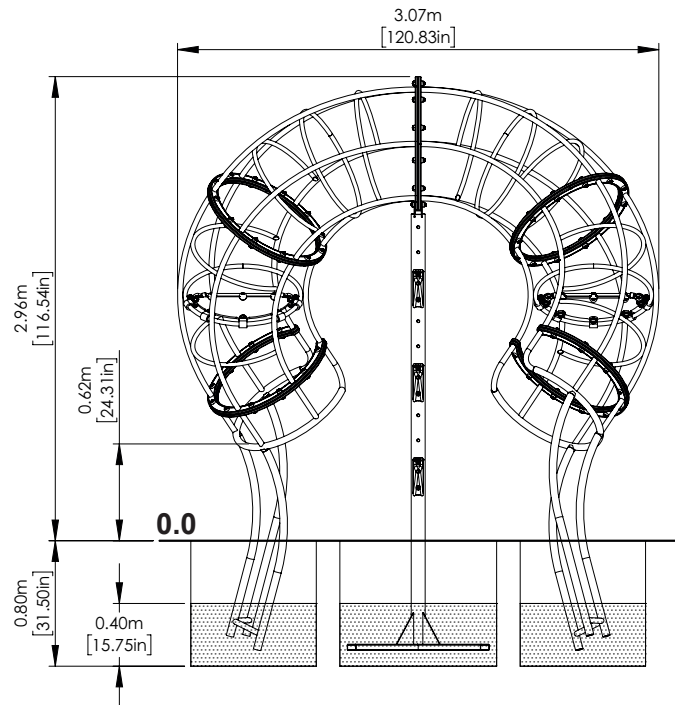
### CC & BM

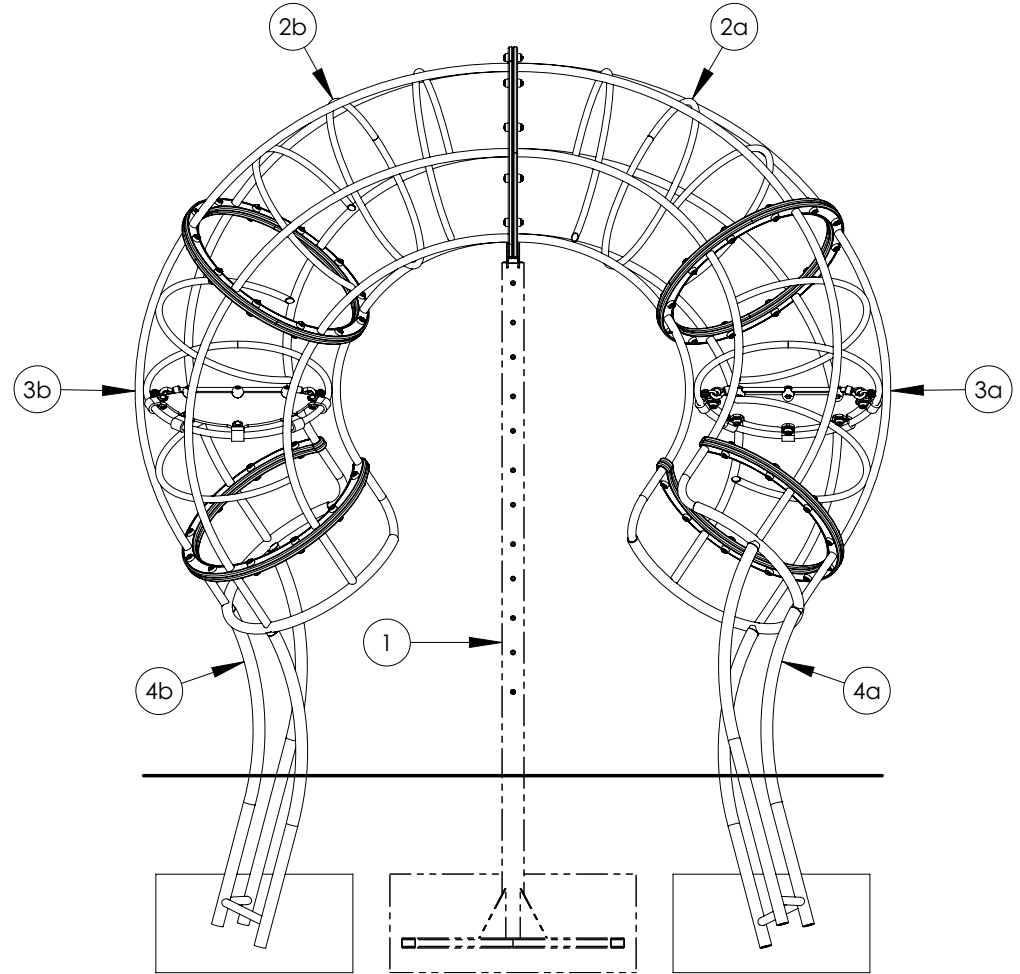
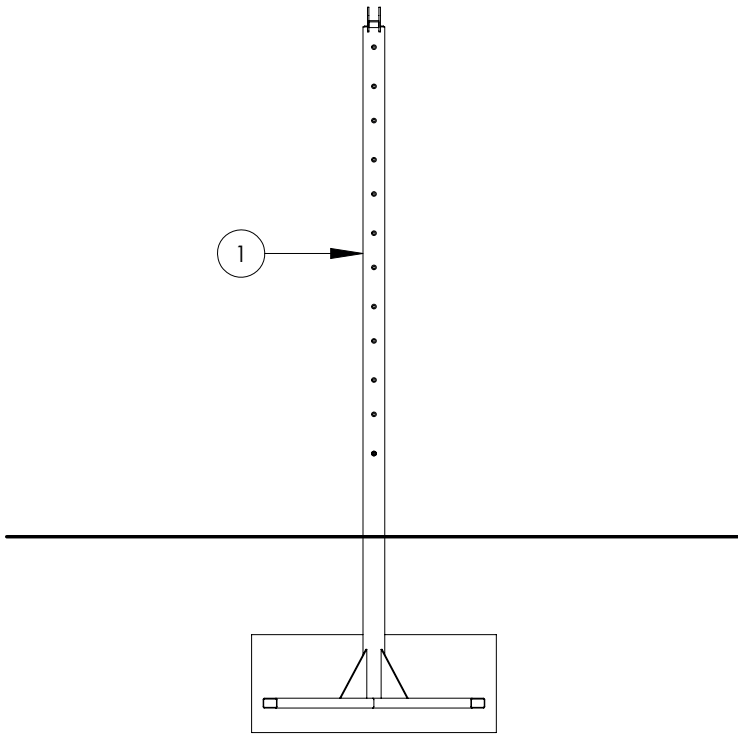
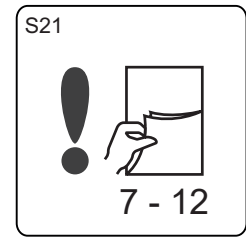
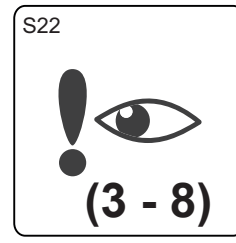
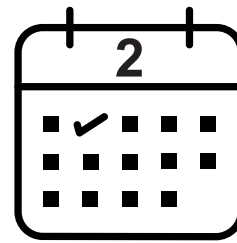
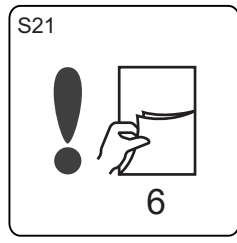
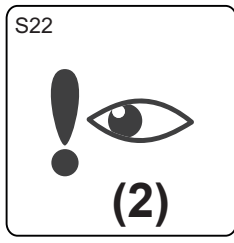
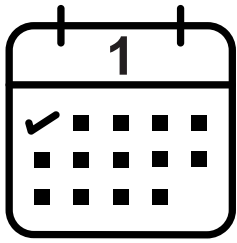


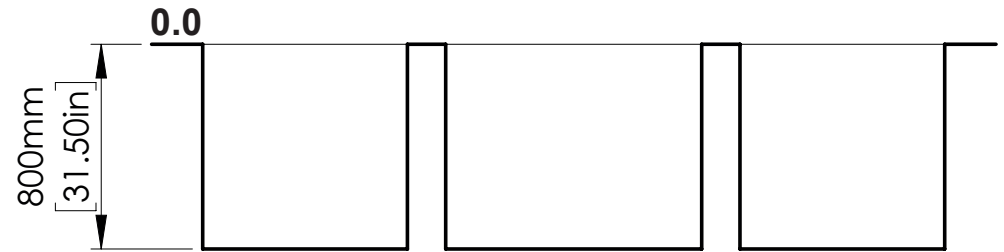
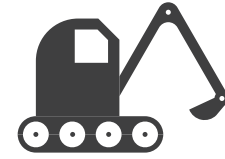
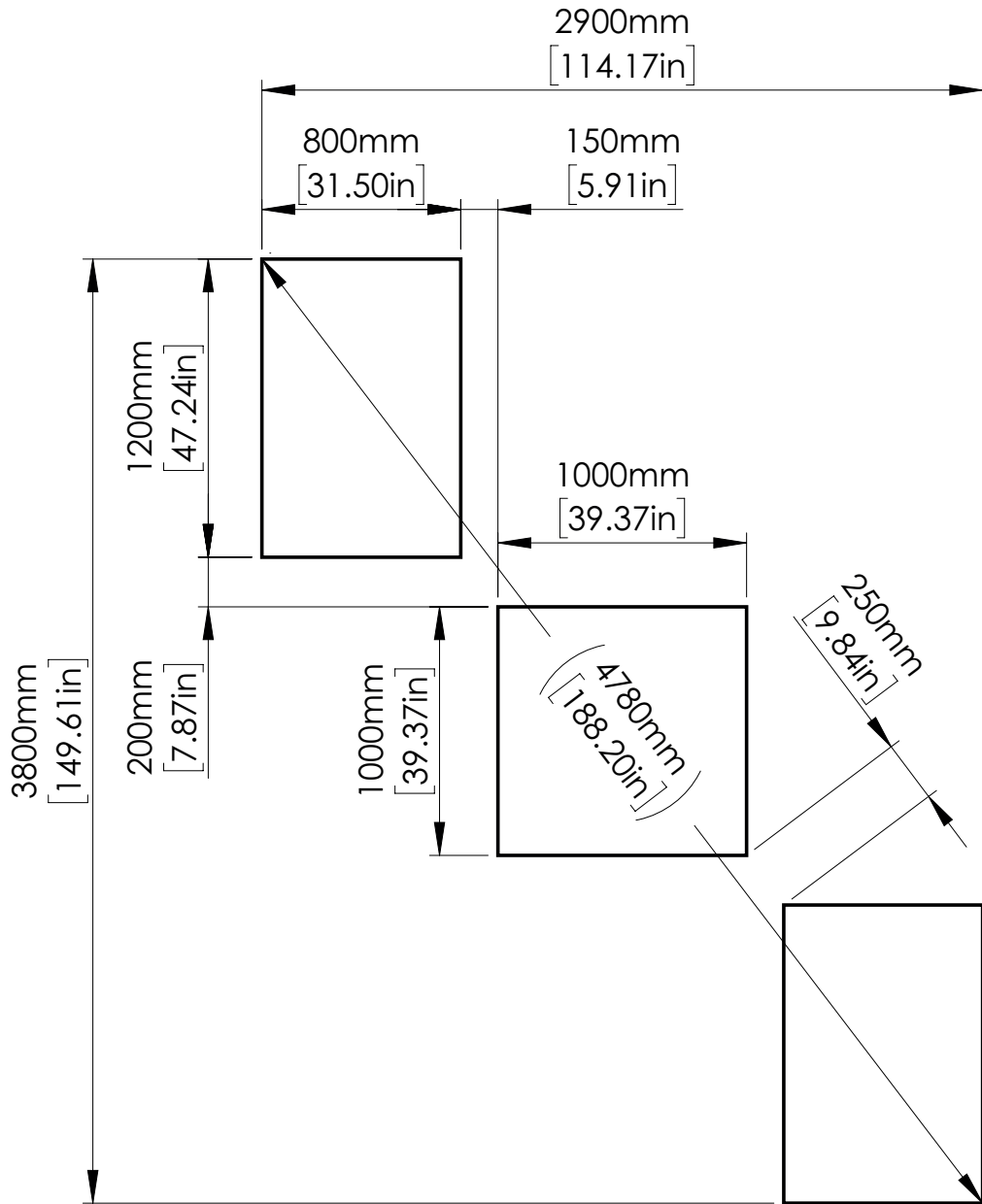
1	33003004		1x	2864 x 905 x 905	45.71kg
2	33003001		2x	1514 x 922 x 839	37.31kg
3	33001002		2x	1514 x 919 x 839	40.24kg
4	33003003		2x	2048 x 845 x 746	35.08kg
5	33001003		18x	745 x 248 x 19	0.61kg
6	33001004		4x	860 x 806 x 19	1.56kg
7	38009089		6x	244 x 140 x 65	0.79kg
8	43-04818		112x	M10_Ø34x17x14,5	0.01kg
9	8008850		112x	M10_Ø11x24x2	0.006kg
10	8008406		54x	M10x55-8.8	0.0448kg
11	8008385		2x	M10x70-8.8	0.0541kg
12	8008796		56x	M10-8_A2	0.011kg

13	10301000		12x	M10_Ø10.5 x Ø18 x 0.9_A2	0.001kg
14	10121065		12x	M10x65_A2_TX45	0.05kg
15	19024501		12x	M10_Ø16 x 19.5	0.001kg
16	43-04820		112x	M10_Ø25x12	0.00kg

<p>S12</p>  <p>kg</p> <p>298kg</p>	<p>S15</p>  <p>L x W x H (m)</p> <p>3.0 x 3.2 x 3.0</p>	<p>S13</p>  <p>m³</p> <p>1.15m³</p>	<p>S14</p>  <p>m²</p> <p>7.5 x 6.0</p>
<p>S6</p>  <p>EN1176</p> <p>3m</p>	<p>S8</p>  <p>ASTMF1487</p> <p>3m</p>	<p>S9</p>  <p>CSA Z 614</p> <p>3m</p>	<p>S20</p>  <p>3 X 8</p>
<p>S24</p>  <p>10121000 (TX45 / M10)</p>			







# 2

S22

S12

kg  
46kg

S13

m<sup>3</sup>  
0.39m<sup>3</sup>

S25

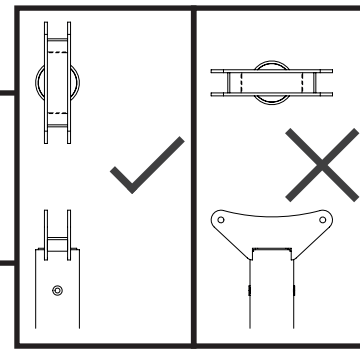
S2 (50mm)  
≥C20-25

1 x 24

101

S22

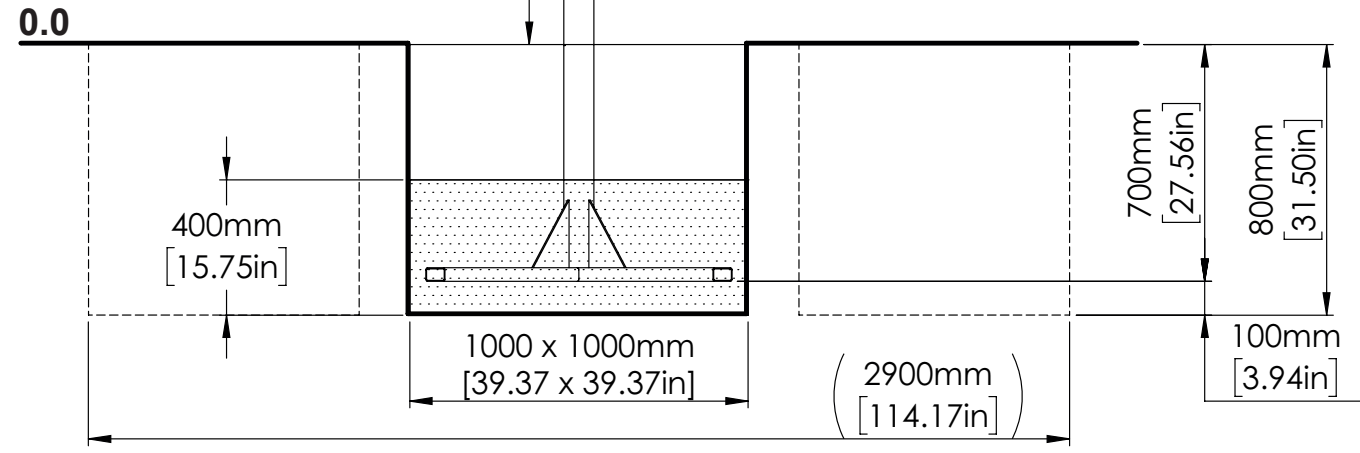
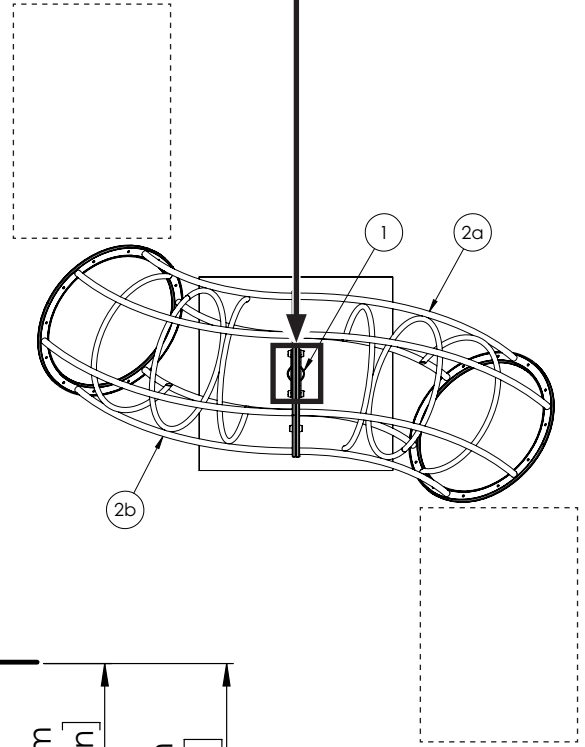
S22

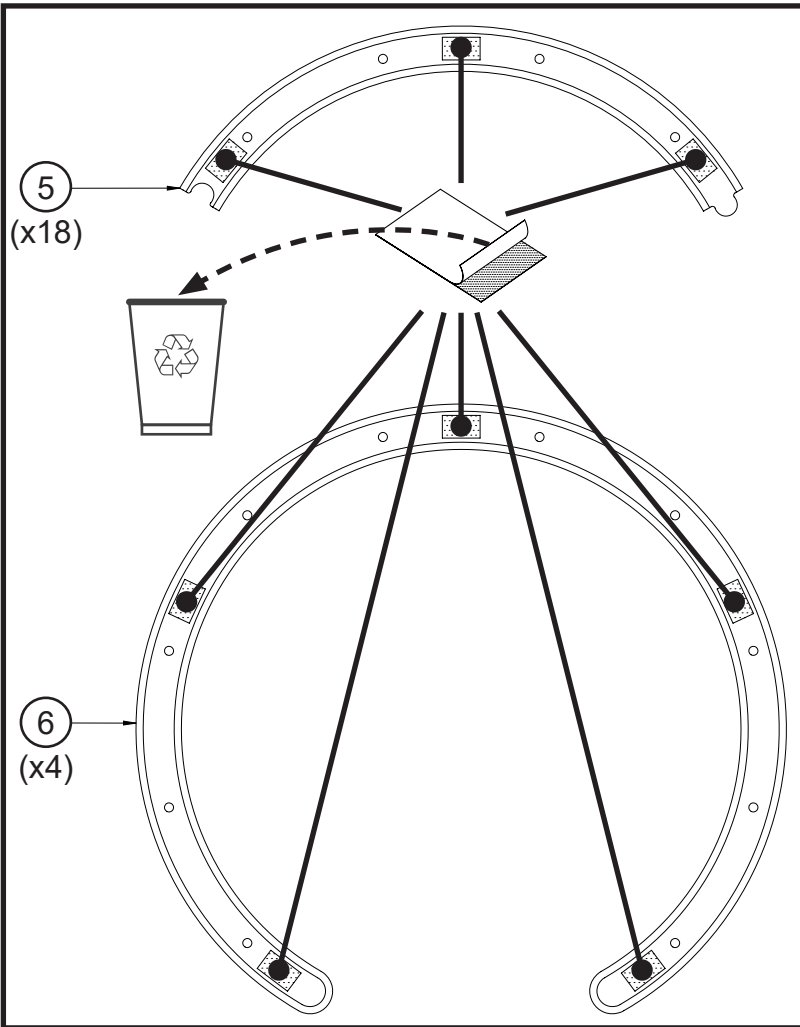
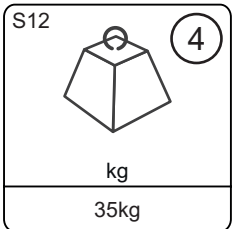
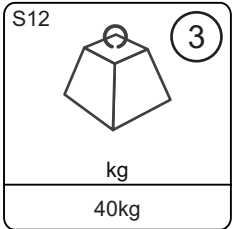
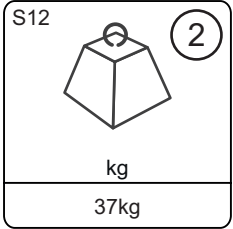
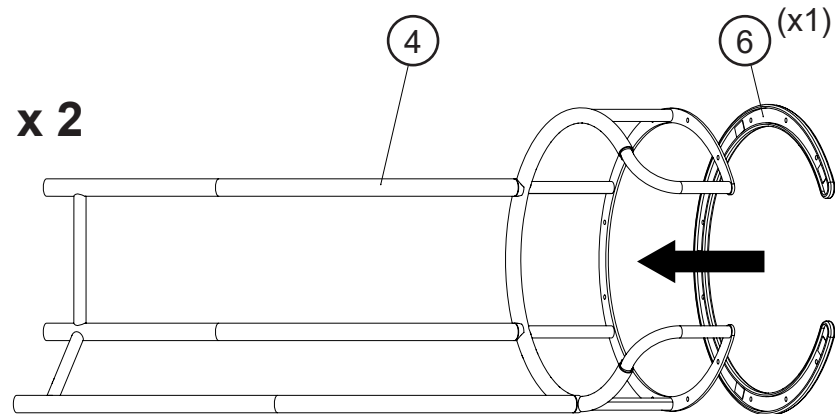
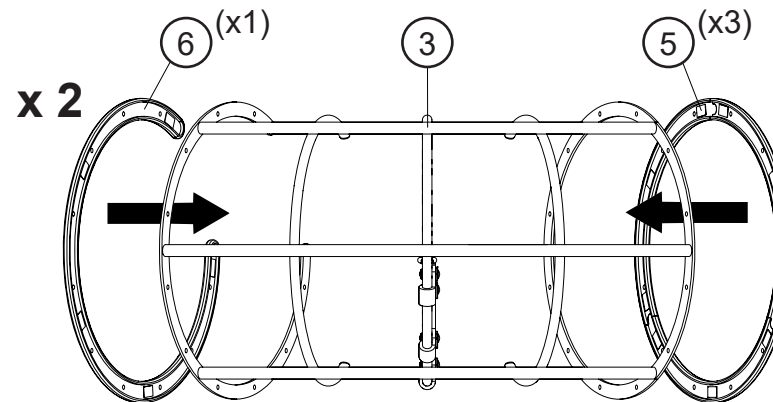
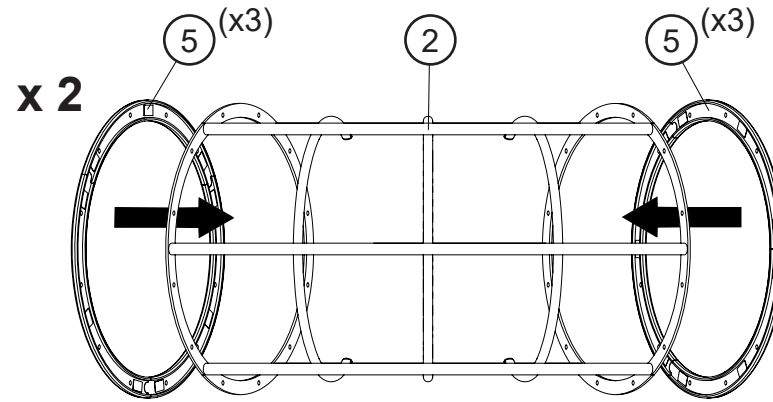
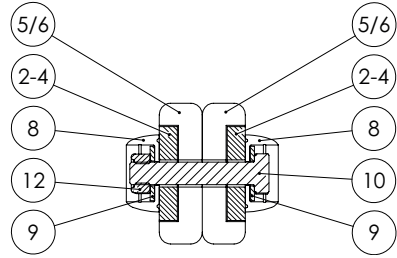
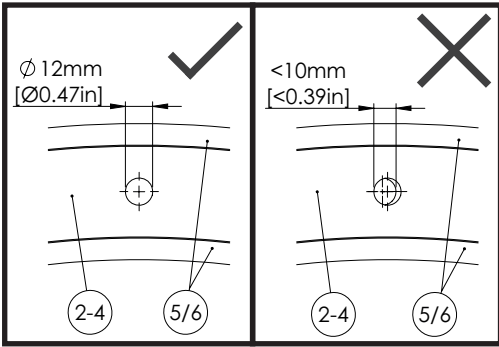


2086mm  
[82.13in]

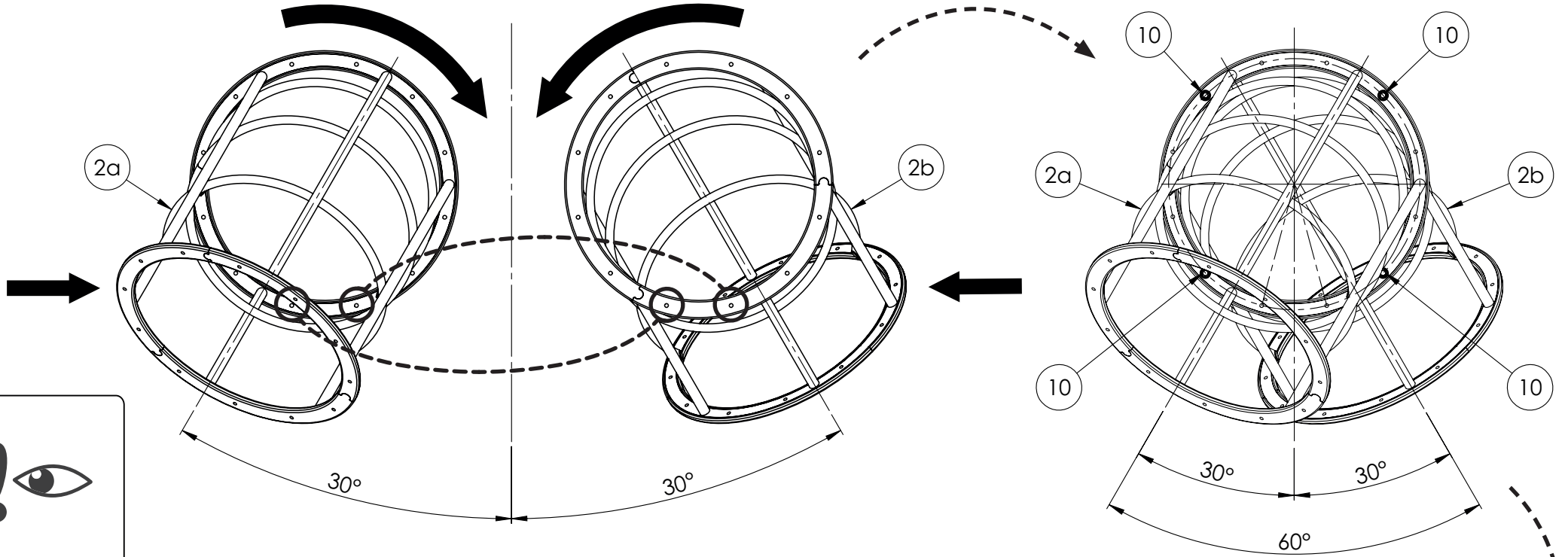


1





4



S22

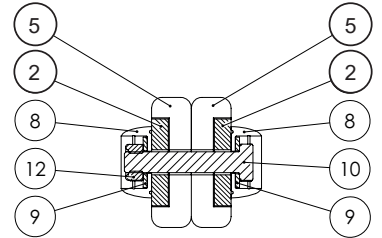
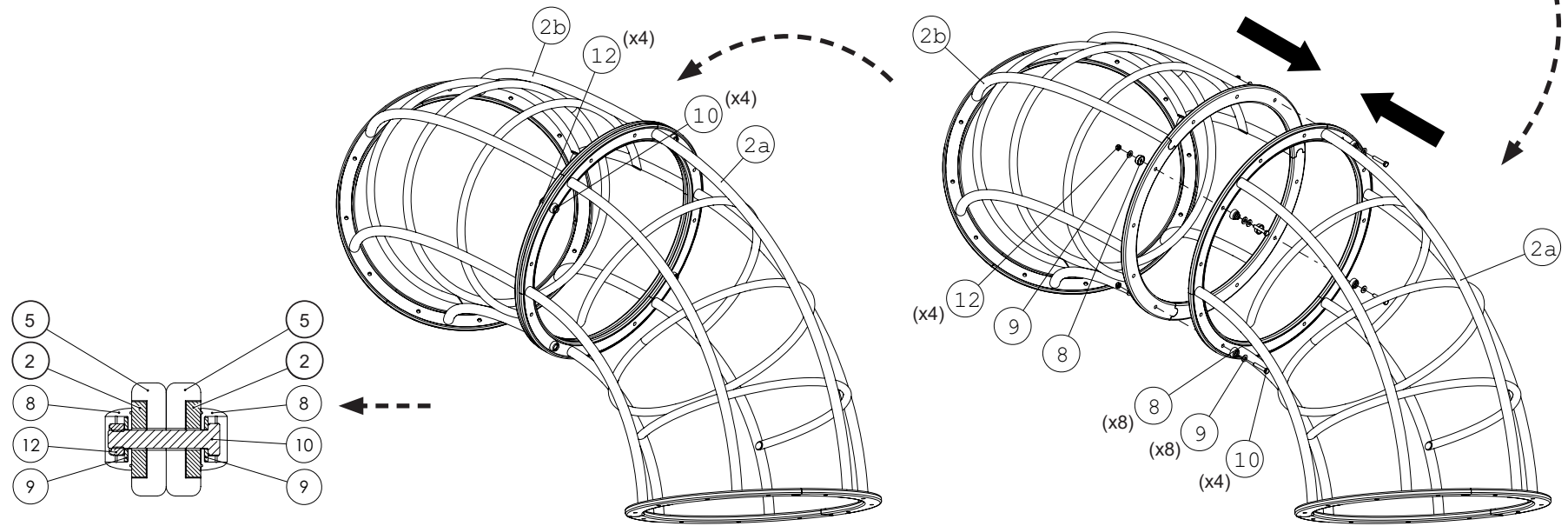
S12

kg  
41kg

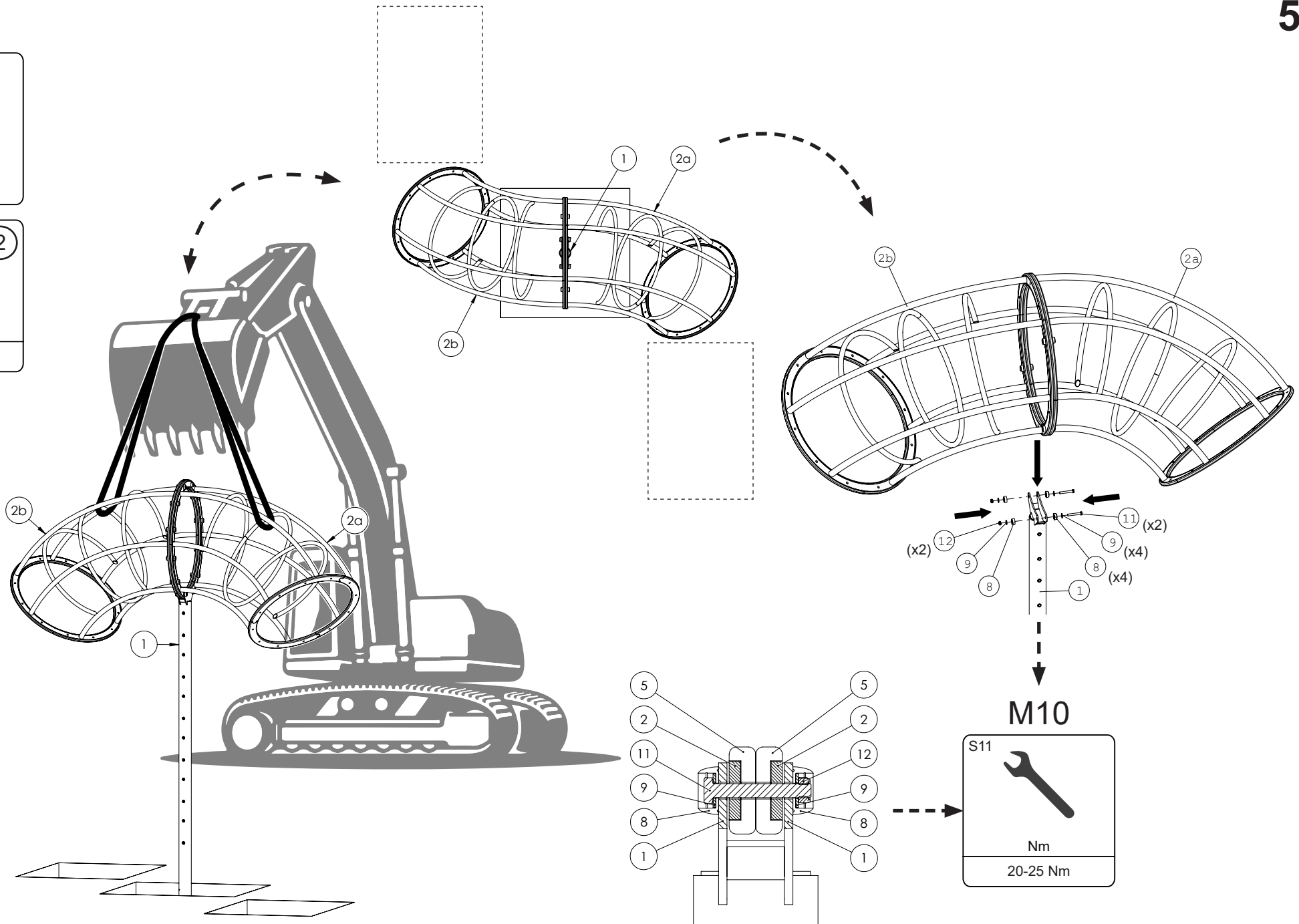
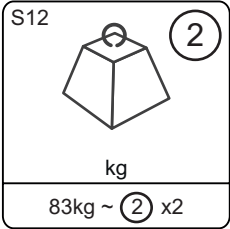
M10

S11

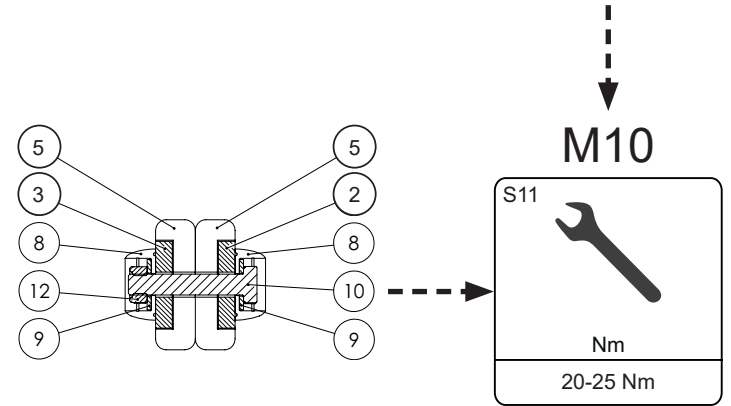
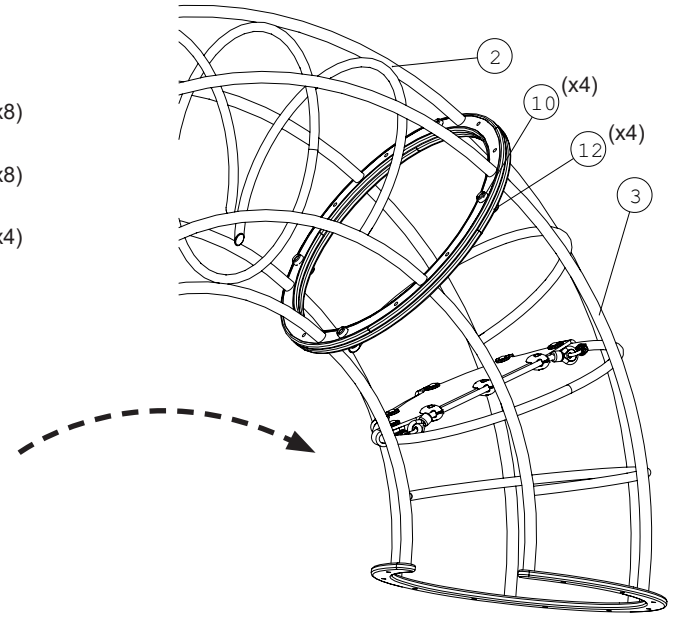
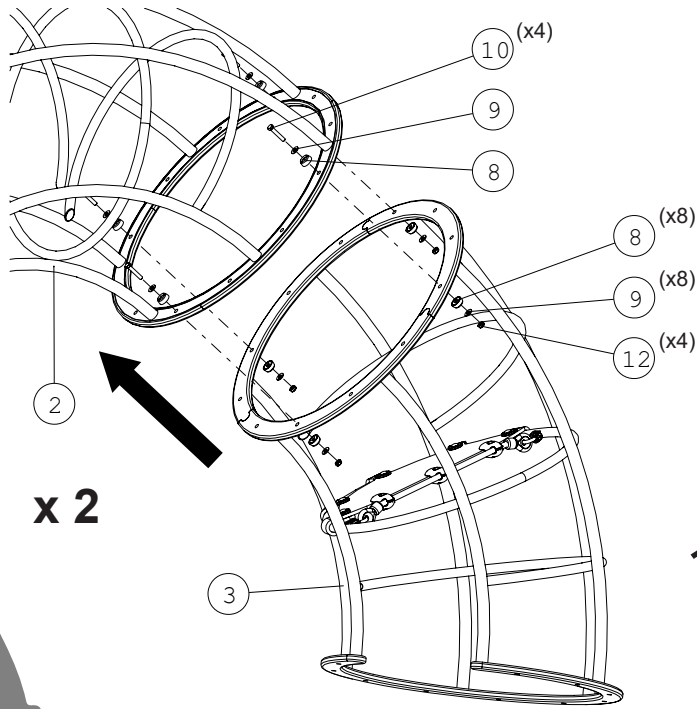
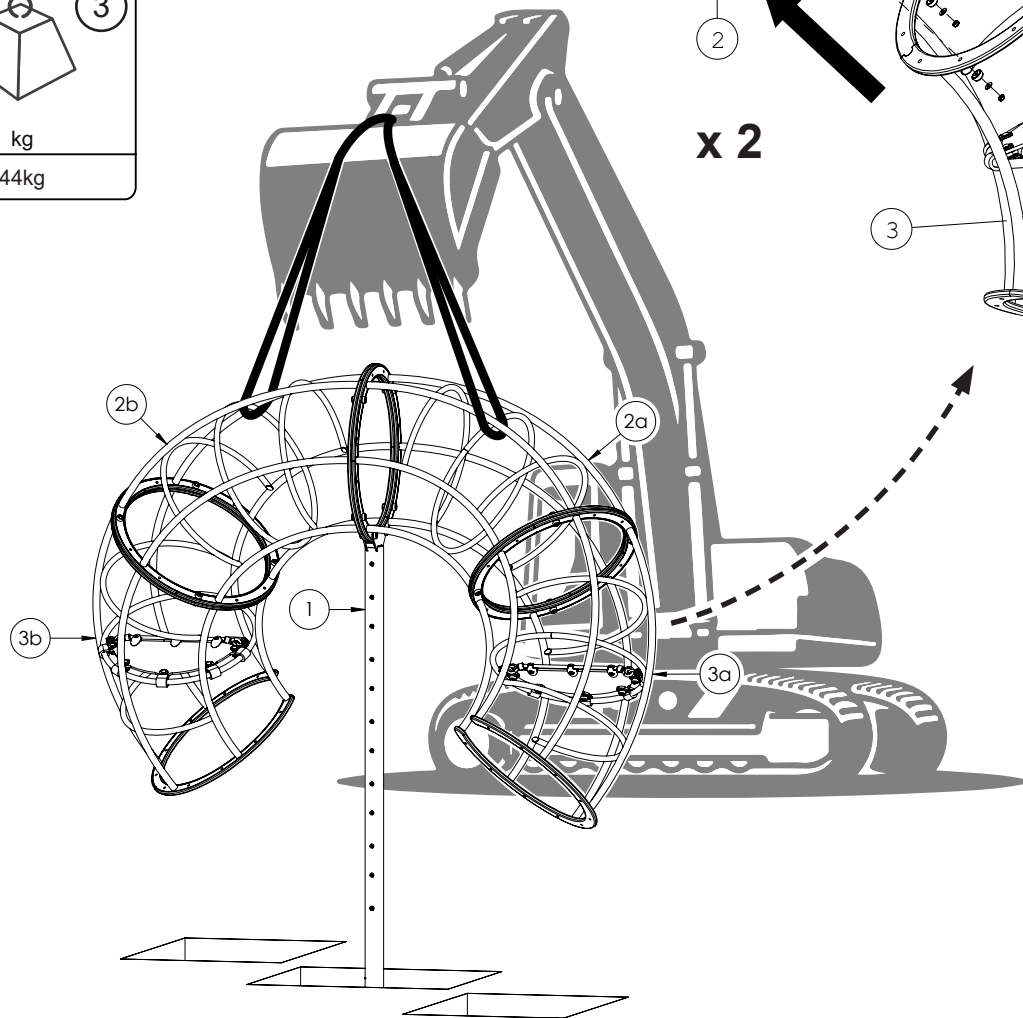
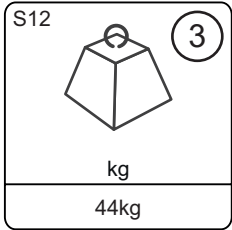
Nm  
20-25 Nm

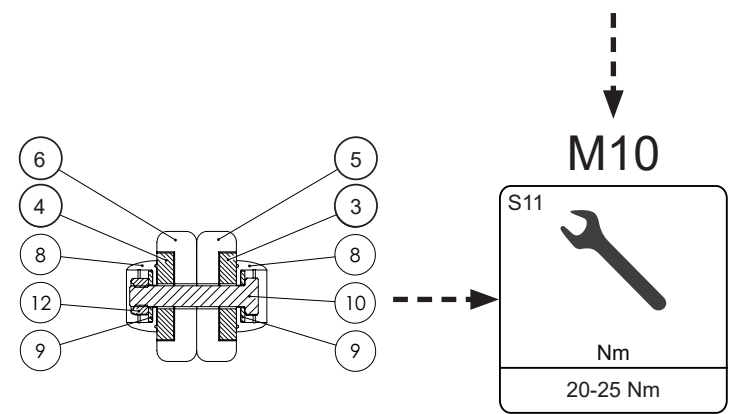
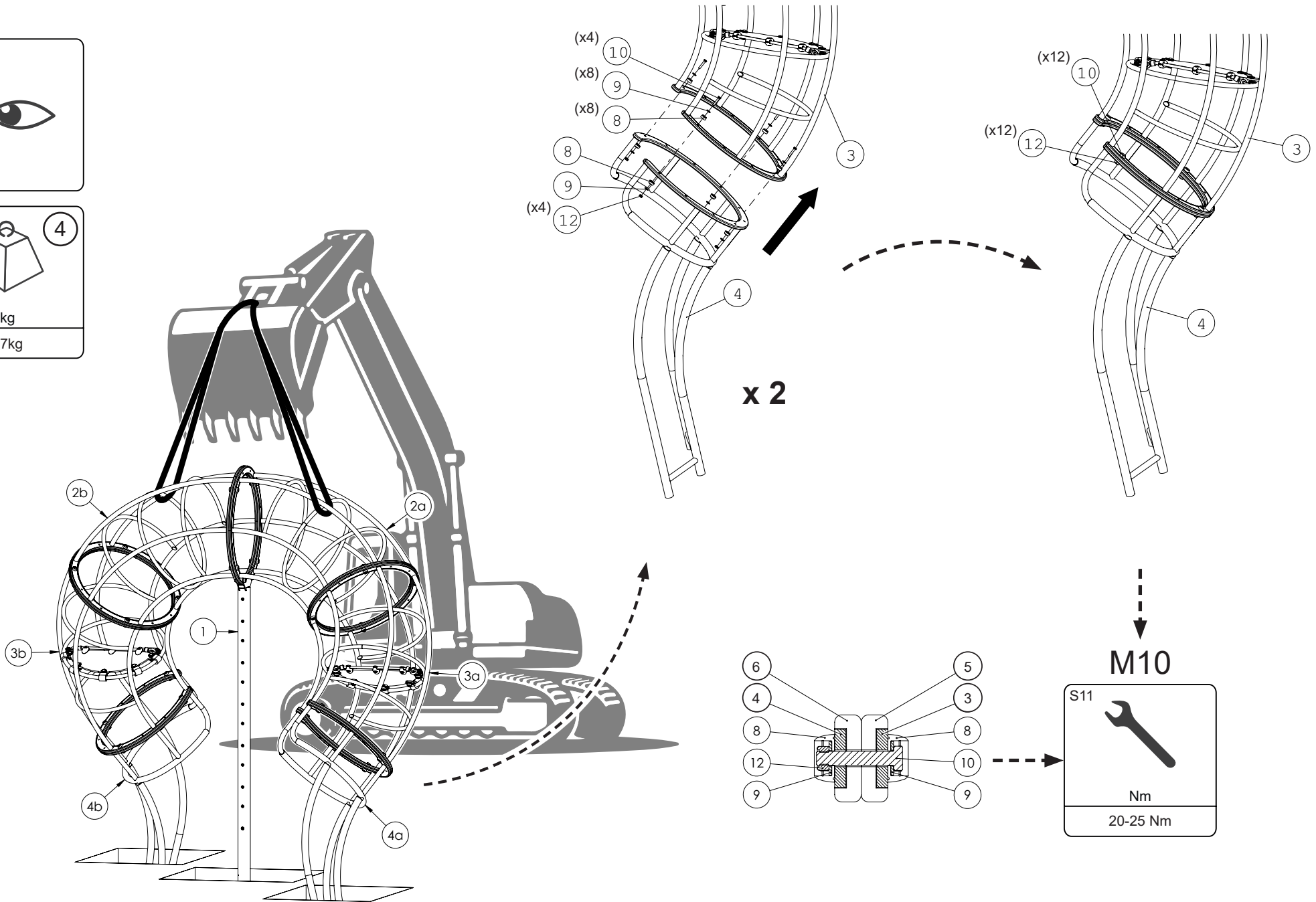
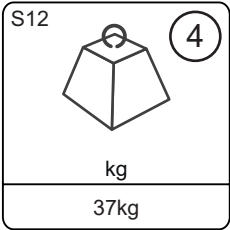







# 6





S13




m<sup>3</sup>

0.76m<sup>3</sup>

S25



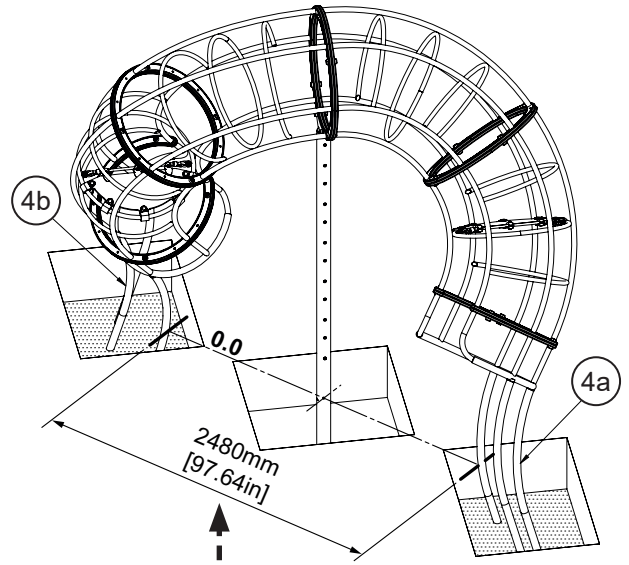
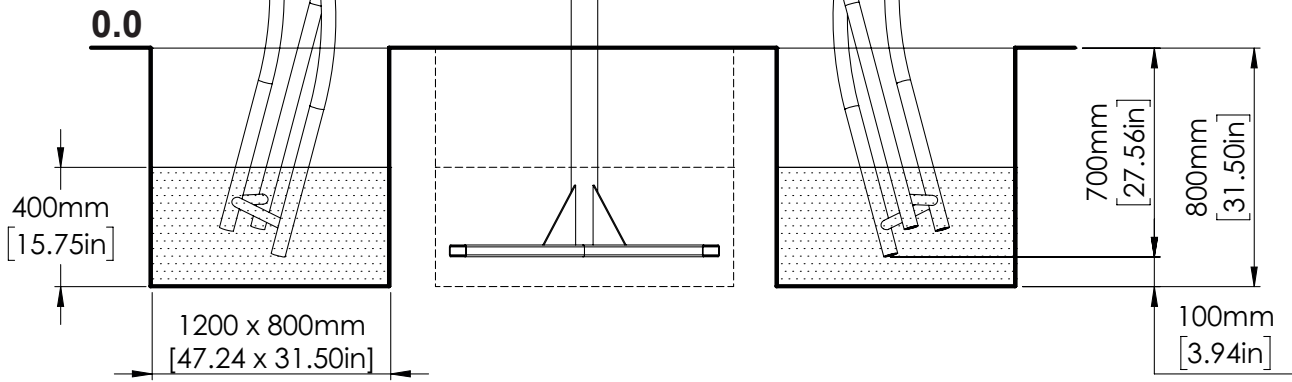
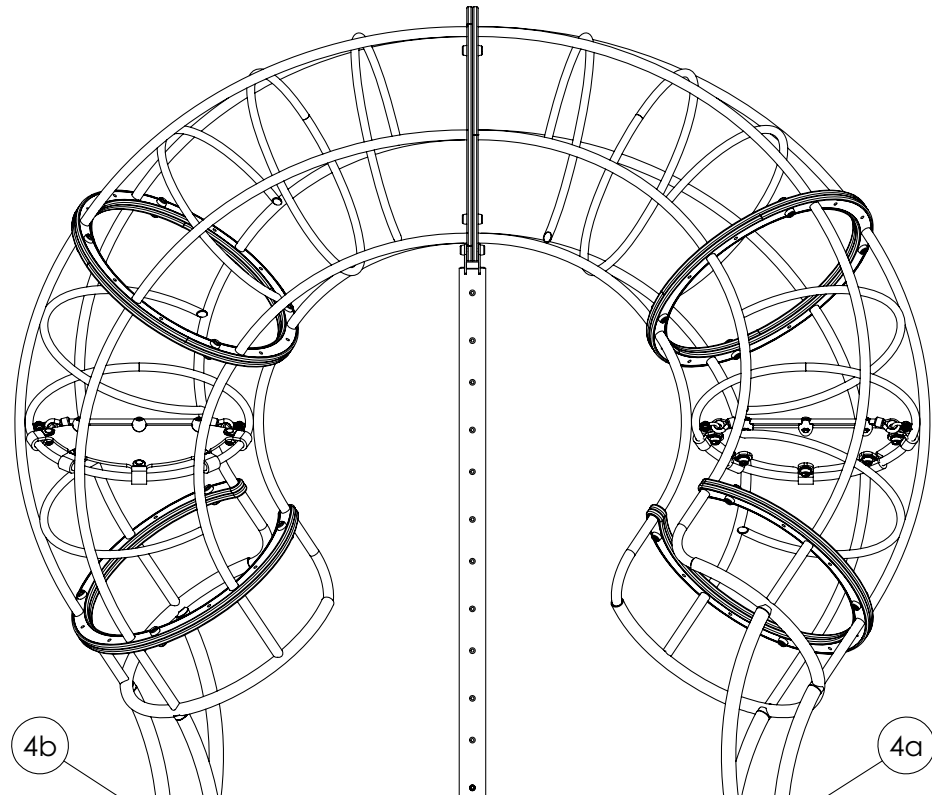
S2 (50mm)  
≥C20-25




7 x 24

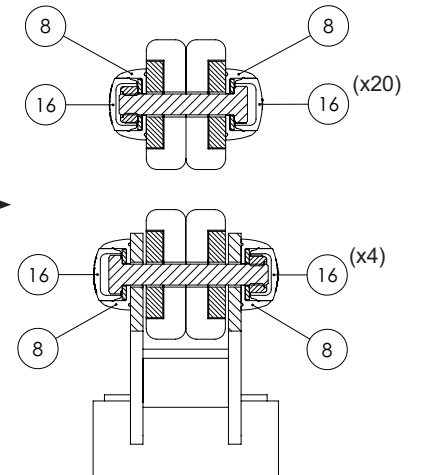
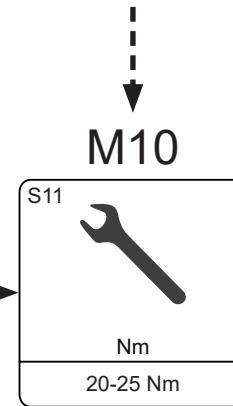
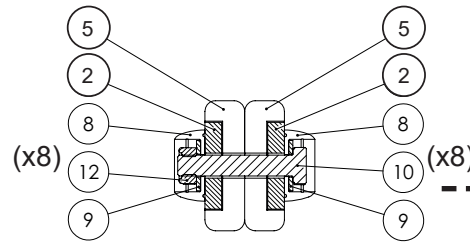
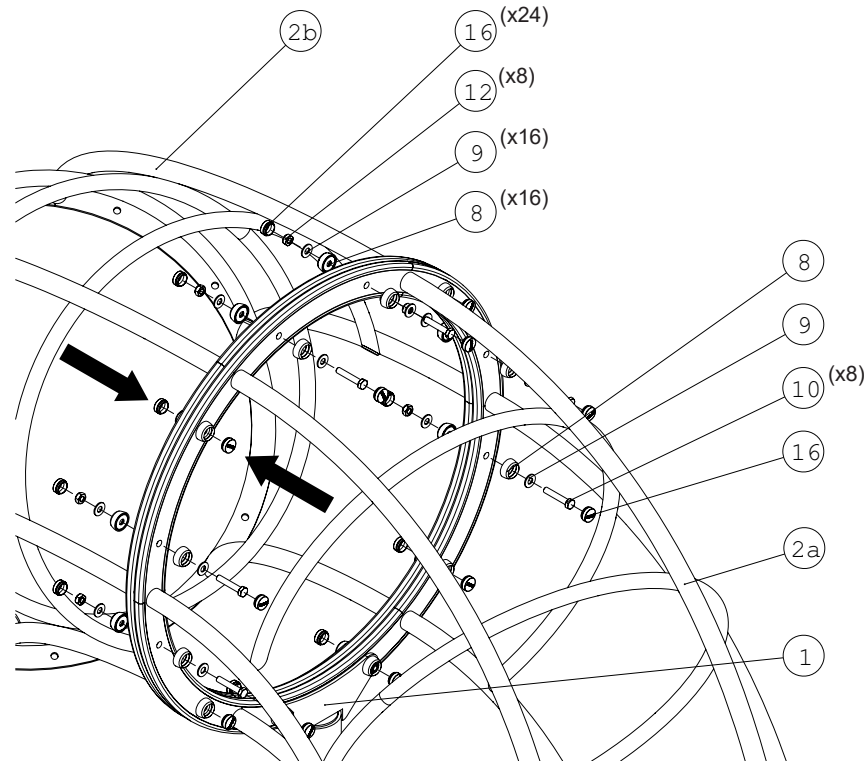
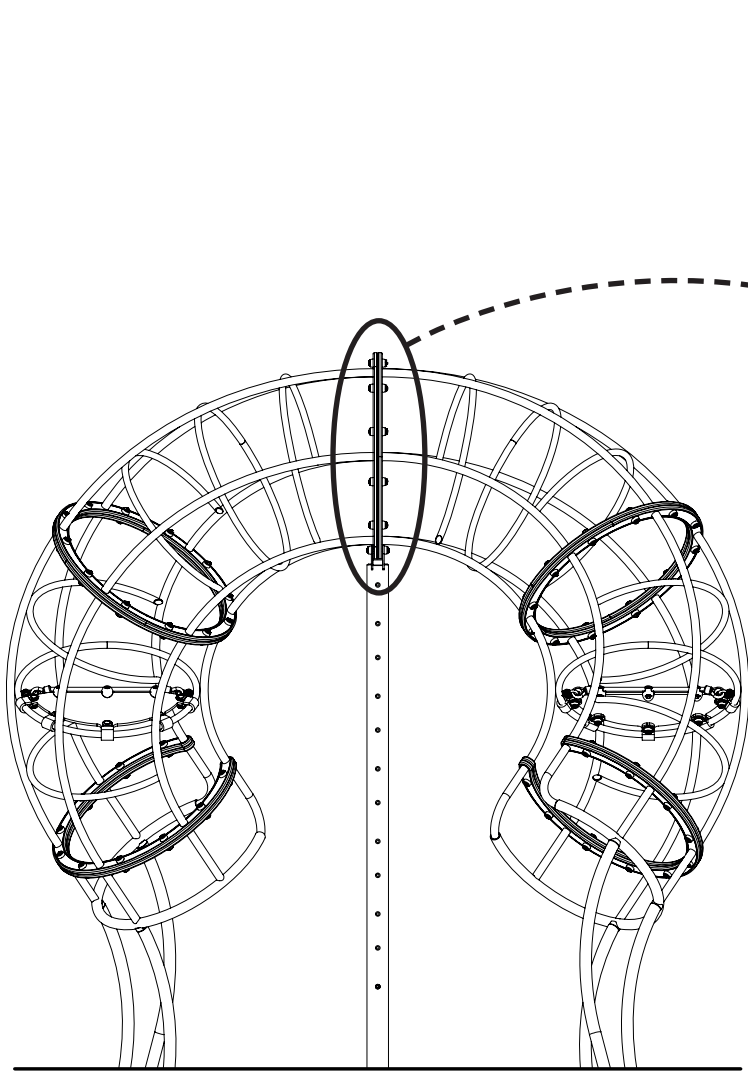


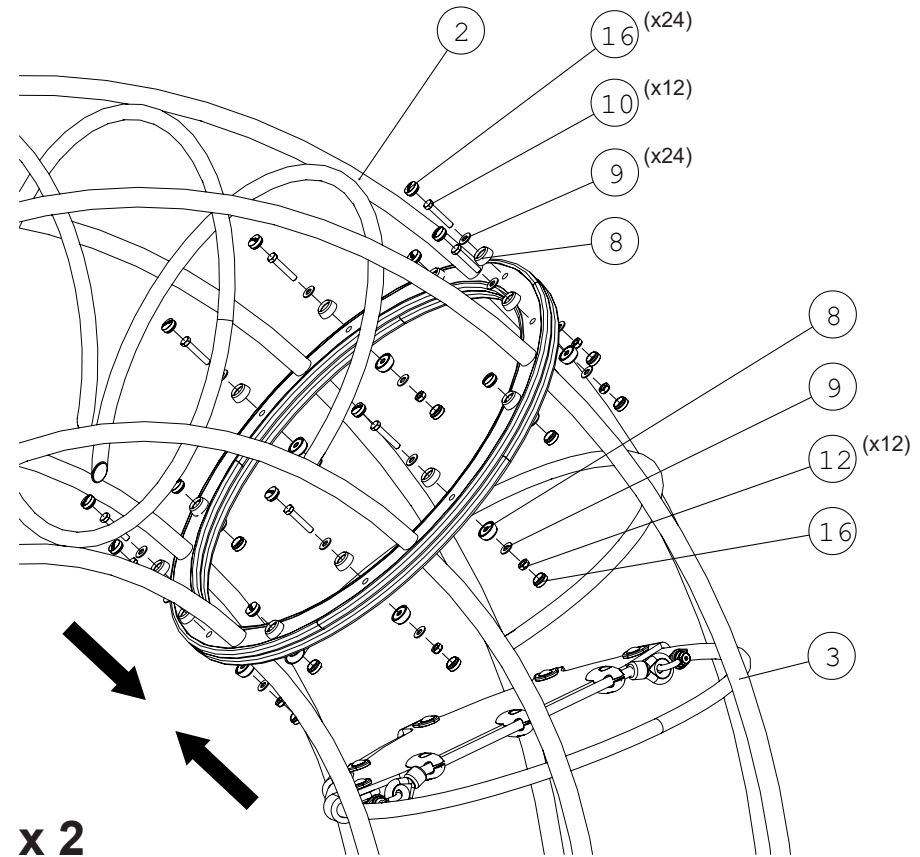
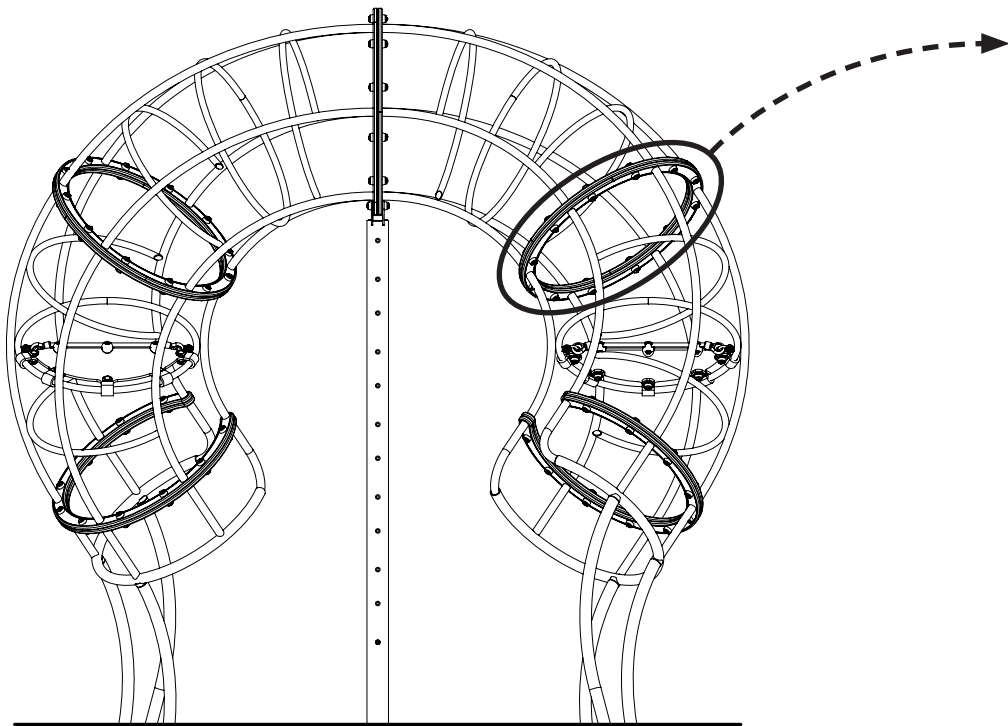
101



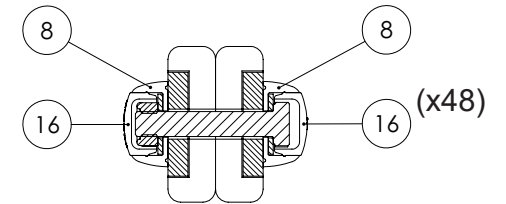
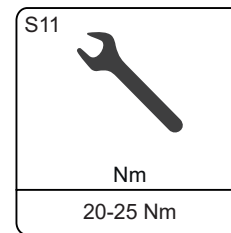
S22



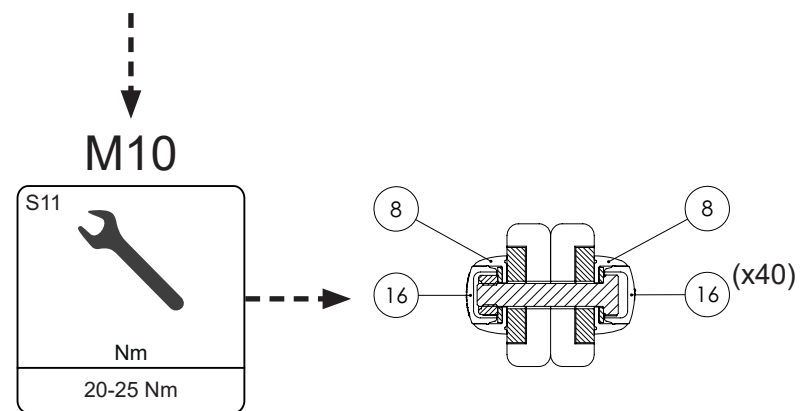
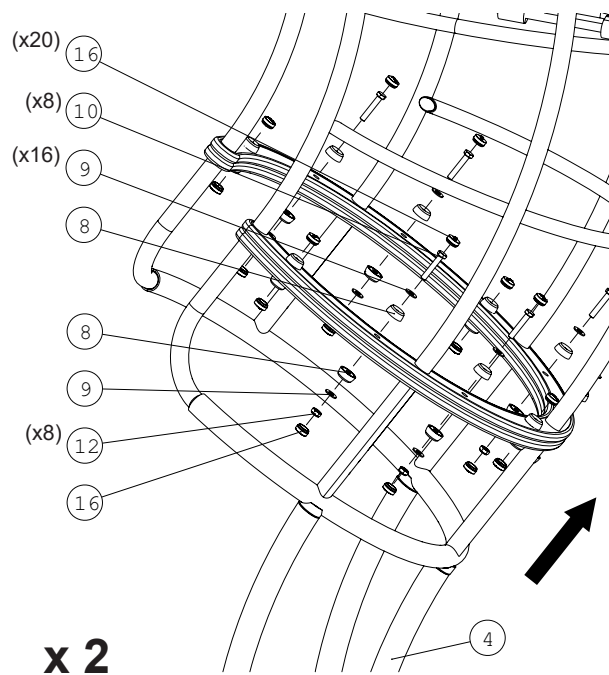
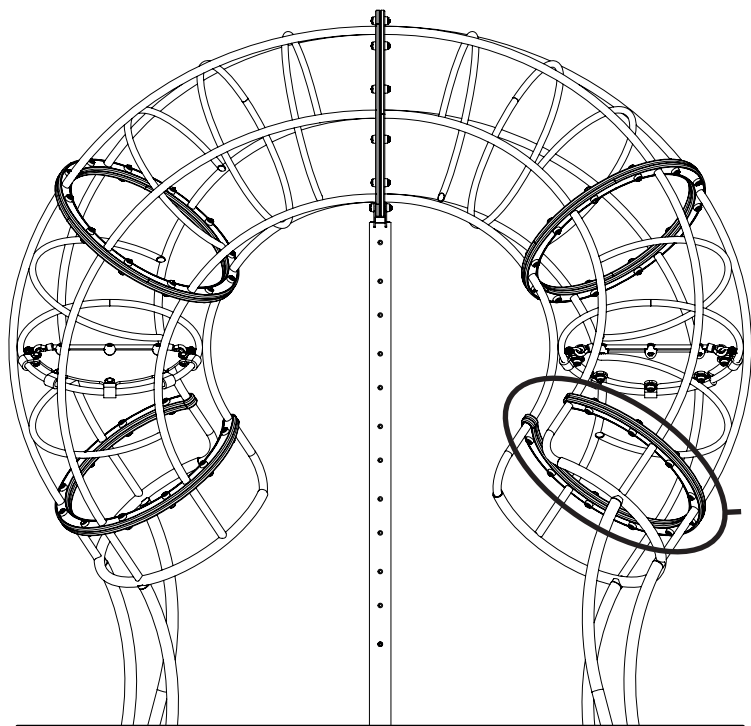


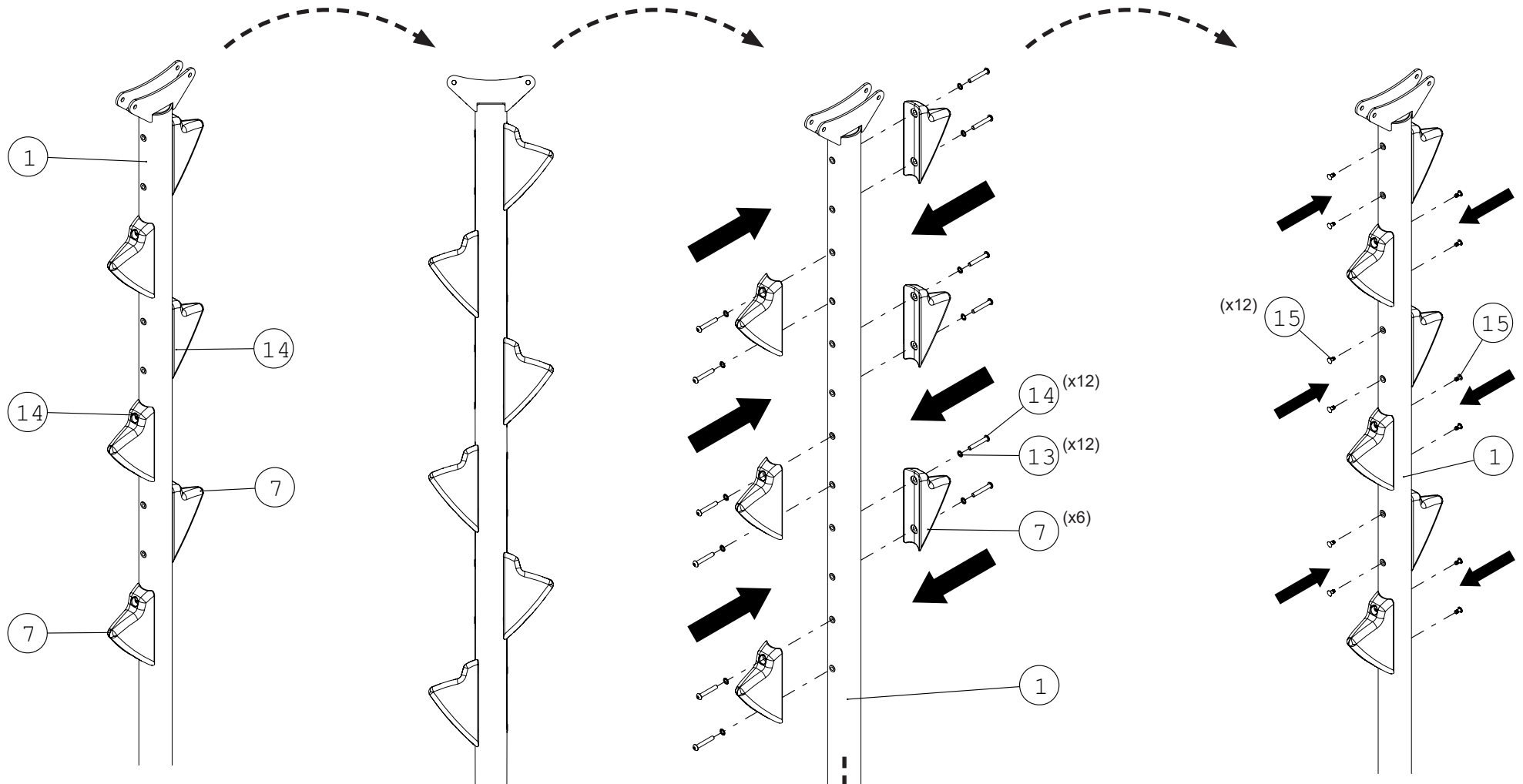



M10









S11

Nm
20-25 Nm

M10



